

# CIVA Free Known Programme 1

## Glider Advanced and Unlimited 2017



### Guidance for competitors

Competitors should preferably design their own Free Known sequence, though they are entitled to use one provided by another competitor or resource.

Each Programme 1 Free Known sequence must comprise a total of 10 figures.

Within each sequence: 5 figures must be the “Known” figures specified by CIVA and 5 must be “Free” figures, i.e. they are freely chosen by the competitor.

The 5 “Known” figures –

- must be those specified for the category by CIVA at its plenary.
- may individually be placed in any order and at any position within the sequence.
- may be employed in any orientation, i.e. with their start direction along the main box axis into wind, or down wind, or on the secondary axis in either direction.
- must be used with their design as specified by CIVA, unchanged in any way.

The 5 “Free” figures –

- must be selected from the Aresti Aerobatic Catalogue (Condensed), Glider version.
- must, in conjunction with the specified “Known” figures, provide a sequence that complies with 2017 CIVA Section 6 Part 2 versatility regulations: Advanced paragraph 2.1.2.6 and Unlimited paragraph 2.1.2.7

Sequence files submitted for a CIVA championship event –

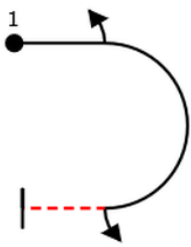
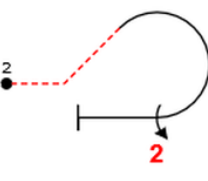

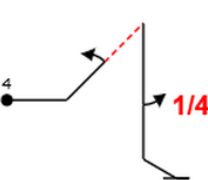
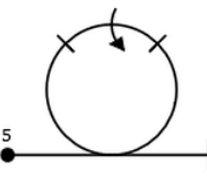
- must be in a computer format declared acceptable to CIVA; hard / paper copies of any type are not acceptable.
- must contain complete pages for forms “A”, “B” and “C” as well as forms “L” and “R”.
- must clearly identify the 5 “Known” figures using the specified letters A-E.

The specified “Known” figures for CIVA 2017 glider aircraft categories are shown overleaf.

The “Known” figures specified by CIVA for glider aircraft in 2017 are:

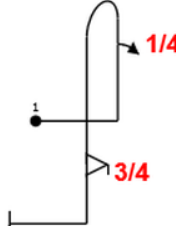
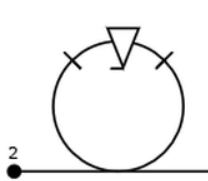
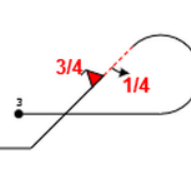
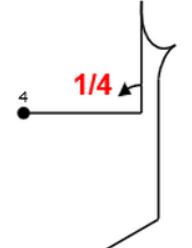
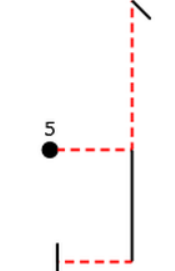
**Advanced glider category**

Max total K allowed = 175 §

 <p><b>Fig A</b> 7.2.4.3(6) 9.1.3.2(6) 9.1.3.2(6) K: 18</p>	 <p><b>Fig B</b> 8.5.1.2(10) 9.2.3.4(14) K: 24</p>	 <p><b>Fig C</b> 5.2.1.1(17) 9.1.5.1(3) K: 20</p>	 <p><b>Fig D</b> 1.2.3.1(12) 9.1.2.2(9) 9.1.5.1(3) K: 24</p>	 <p><b>Fig E</b> 7.4.1.1(10) 9.1.3.4(12) K: 22</p>
--	---	--	--	---

**Unlimited glider category**

Max total K allowed = 230 §

 <p><b>Fig A</b> 8.4.1.1(13) 9.1.1.1(9) 9.9.5.3(14) K: 36</p>	 <p><b>Fig B</b> 7.4.1.1(10) 9.9.3.4(16) K: 26</p>	 <p><b>Fig C</b> 8.5.6.1(10) 9.1.4.1(3) 9.10.4.3(17) K: 30</p>	 <p><b>Fig D</b> 6.2.1.1(17) 9.1.1.1(9) K: 26</p>	 <p><b>Fig E</b> 5.2.1.2(23) K: 23</p>
--	---	---	---	---

§ - see CIVA 2017 Section 6 part 2 paragraph 2.1.2.5